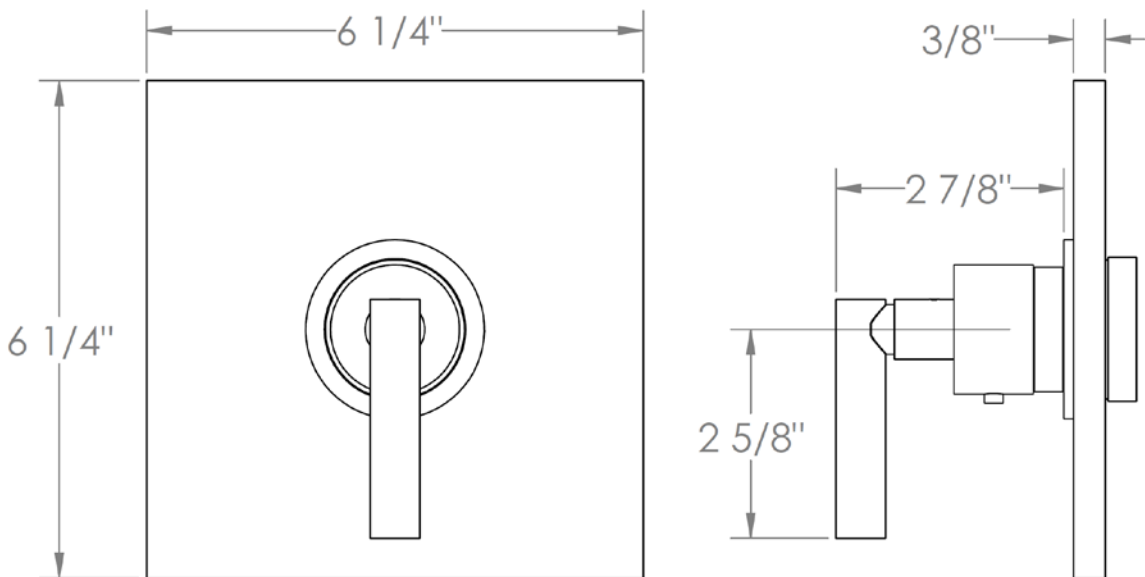


27-T10-CL14

Trim Kit Only for Thermostatic Valve

For use with SS-TH1000 or SS-TH3000 thermostatic roughs

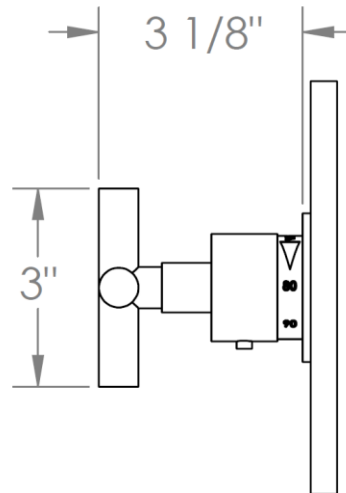
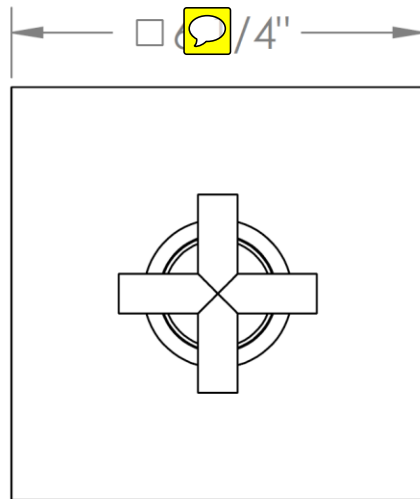


WATERMARK DESIGNS 4/10/2018

27-T10-CL15

Trim Kit Only for Thermostatic Valve

Requires SS-TH1000 or SS-TH3000 concealed rough



WATERMARK DESIGNS 1/21/2019

350 Dewitt Ave Brooklyn NY 11207 USA T 718 257 2800 F 718 257 2144 info@watermark-designs.com

27-THRMKT10-CL16

Trim Kit Only for Thermostatic Valve

